



PRINCESS®

Instructions for use

تعليمات الاستخدام

TYPE 321000 / 321001

STEAM PRESS 26" / 32"

UK

Instructions for use 3

ARAB

تعليمات الاستخدام 12

General description

The following features and accessories are included with your Steam Press. Carefully inspect packaging material as some parts are shipped inside Styrofoam packaging. To obtain possible missing parts, refer to the Customer



1. Handle
2. Steam Burst Buttons
3. a. Water Reservoir Cap
3. b. Water Reservoir
4. Ironing Board
5. Pressing Plate
6. Pressing Plate Cover
7. on/Off Switch
8. Locking Knob



9. Power Indicator Light (Red)
10. Pressing Indicator Light (Green)
11. Steam Burst Ready Indicator Light (Yellow)
12. Temperature Control Buttons
13. Cord Storage Compartment
14. Measuring Cup
15. Spray Bottle
16. Pressing Cushion
17. Temperature choose switch

Important

Important safeguards and rules:

- **Warning!** Read and understand all instructions before use. Failure to follow all instructions listed below may result in electric shock, fire, burn or other serious injuries.
- Save these instructions!
- Digital Fabric Family Press was designed for domestic use only. Any other use will void its manufacturer's warranty.

Work area:

- Keep your work area clean and well lit.
- Do not operate power appliances in explosive atmospheres such as in the presence of flammable liquids, gases or dust.
- Keep children and visitors away while operating this product.

Electrical safety:

- Ground appliances must be plugged into an outlet properly installed and grounded in accordance with all codes and ordinances. Never remove the grounding prong or modify the plug in any way. Do not use any adapter plugs. Check with a qualified electrician if you are in doubt as to whether your outlet is properly grounded.
- Avoid body contact with grounded surfaces such as pipes, radiators, ranges, and refrigerators.
- Do not expose power appliances to rain or wet conditions.

- Do not abuse the power cord. Never use the power cord to carry the appliance or pull the plug from an outlet. Always shut off the unit prior to removing the plug from the socket.
- Replace damaged power cords immediately or cease using the unit.
- Do not use this appliance with extension cords or electrical outlets that have inadequate current capacity.
- Do not leave your Digital Fabric Family Press unattended when plugged in or not in use.
- If the plug does not fit fully in your outlet, contact a licensed electrician to install a proper outlet before use.
- Do not attempt to temper, alter or modify the plug to defeat this safety features.

Personal safety:

- This unit is not a toy. Close supervision is required when using this unit near children, pets and plants.
- This unit can produce steam and might be pressurized and hot. Care must be taken to avoid burns or their injuries.
- Stay alert and watch you are doing and use common sense when operating a power appliance. Do not use this power appliance while tired or under the influence of drugs, alcohol or medication.
- Dress properly. Do not wear clothing or jewellery that could get in the way or cause injuries.
- So not handle or use this unit while hands are wet or then not wearing shoes.
- Avoid accidental starting. Be sure the power switch is off before plugging the unit in the socket.
- Do not overreach. Keep proper footing and balance at all times.
- Use of safety equipment such as eye protection is recommended.
- Surfaces become hot during use. To avoid injuries, do not touch pressing plate or any other metal surface while using the appliance. Do not place arms or hands between pressing plate and ironing board at any time.
- Do not attempt to service or modify this unit. Service should only be performed by qualified technicians. Any modification of this unit can be dangerous and will void its manufacturer's warranty.

- Before filling your Digital Fabric Family Press, always turn off the unit and unplug the cord from the outlet, Failure to follow these steps may result in injuries.

Appliance use and care:

- Do not force the appliance. Use your new , Digital Fabric Family Press only what it was intended for.
- Do not use this product if the power switch does not turn it on or off.
- Disconnect the power cord plug from the power source before making any adjustments.
- Do not operate the steam burst function if steam openings are blocked.
- Only water should be used with this unit. Distilled water if available is recommended to prolong the life of your unit.
- Use only accessories that are recommended by the manufacturer for your unit.
- Other accessories should not be used. Doing so may cause injuries or damage to the unit.

Service:

- Repair service should only be performed by a qualified technician.
- Contact your local retailer or the manufacturer for your nearest repair centre.

Warning:

- As stated, burns can occur from touching hot metal parts of this unit or if you are in close proximity to hot water or steam, Exercise extra care while operating this unit.
- Always operate this unit on a secure, flat, level table, counter or our press stand.
- Maintain labels and warnings on the Steam Press.
- Do not use the unit if it has been dropped, damaged, left outdoors or immersed in liquid.
- This product is for household indoor use only.
- Always allow the steam press to cool for at least 30 minutes before storing.
- Always read and adhere to steaming and pressing instructions in this manual. Manufacturer is not responsible for improper operator use.
- People with pacemakers should consult their physician(s) before using this product. Operation of electrical equipment in close proximity to heart pacemaker could cause interference of failure of the pacemaker.

- The warnings and cautions discussed in this manual cannot cover all possible conditions and situations. Please exercise common sense and caution while operating this item.

Unpacking:

- When unpacking your new , check to make sure all the parts are included. If any parts are missing or broken, please contact your retailer immediately.
- You will need this manual for the safety warnings and precautions, assembly, operation, inspection, maintenance and cleaning procedures, parts list and assembly diagram. Keep your invoice with this manual. Write the invoice number down in a safe location. Keep this manual and invoice in a safe and dry place for future reference.

Technical Data

Power supply: 220 / 240 V

Power consumption: 1500 W

Frequency: 50 / 60 HZ

Safety class: II

Subject to technical changes without prior notice!

This device has been tested according to all relevant current CE guidelines, such as electromagnetic compatibility and low voltage directives, and has been constructed in accordance with the latest safety regulations.

Operating instructions

- The Digital Fabric Family Press is equipped with an automatic shut off mechanism which turns off electric power to the internal heater when the pressing board is left against the ironing board for more than 10 seconds or if the pressing board is left in the raised position without use after 15 minutes. The heating ability of the steam press is restored when the oppressing board is lowered or raised from its position.
- Important: The automatic shut-off does not mean power is totally cut off. Power is always on, and the power indicator light remains on as well until the power switch is turned to its "OFF" position. To turn the power on again, turn the power switch to its "OFF" position then turn to its "ON" position again.

- While putting water in the reservoir, do not attempt to remove the reservoir from the steam press. The unit cannot be completely removed from the steam press. Do not attempt to force it free.
- Use the supplied measuring cup to fill the water reservoir. Do not overfill. Tap water can be used but distilled water is recommended. Replace water reservoir cap before commencing use.
- Do not overfill the reservoir. Fill the reservoir with no more than 10 ounces of water.
- Unlock the locking knob and raise the pressing board.
- With the pressing board in the lifted position, plug the power cord into the nearest grounded 220 volt electrical outlet and then turn the power on after verifying no safety hazards exists.
- Select the type of fabric you are going to press. Then select the corresponding temperature setting. The green pressing indicator light will illuminate. It is recommended that you start with the most delicate fabrics first as higher levels of heat may cause damage to your garment.
- A few minutes of heating time is required to reach the selected temperature. Once the pressing board is heated to the desired temperature, the green indicator light will go out. You are now ready to begin pressing your garment.
- Lay the fabric flat on the ironing board. If pressing wool, it is recommended that you spray it with a burst of steam. This function is available once the yellow steam burst indicator light illuminates.
- Warning – Do not activate the steam burst function with the steam press completely closed as this may damage the unit. For best results, hold the pressing board open approximately 3 inches above the ironing board before pressing the steam release buttons on the handle. For safety reasons, do not lift the pressing board more than 3 inches above the ironing board when using the steam burst function.
- REMINDER – Burns can occur from touching hot metal parts or if you are in close proximity to hot water or steam.
- To press the fabric, lower the pressing board gently on to the fabric and ironing board. Hold for about 8 to 10 seconds. Lift the pressing board all the way. Repeat until you have obtained the desired crease and smoothness in the fabric.

- The steam press will automatically turn off the heating plate after 10 seconds in the closed position. A beep will be emitted until the unit is opened. Once the unit is opened, it will return to normal operation.
- Once the pressing is completed, immediately turn the unit off. Wait for the unit to cool down for at least 30 minutes before storing the unit.
- Make sure the steam press is clean and dry before storing the unit in a safe location out of reach from children or other unauthorized people.

Pressing and steaming Tips:

Wrinkle Removal:

- Lower the pressing board until it is about 3 inches above the ironing board and then activate the steam burst function by pressing the steam release buttons.
- Wait a few seconds then activate the steam burst buttons once again.
- Lower the pressing board all the way and then raise the pressing board.
- Repeat this cycle until all wrinkles have been removed.

Pressing Shirts and Blouses:

- Place shoulder yoke on the ironing board first and press.
- Next, place the sleeves onto the ironing board with the fold parallel to the long seam and press.
- Place the bottom of the shirt or blouse behind the ironing board. Begin by pressing the side with the pocket. Pull the shirt or blouse towards you as you press each section.
- Finish by pressing the collar of the shirt or blouse.

Pressing Pants:

- Place the accessory pressing pad under the waistband and press; reposition the waistband until completely pressed.
- To press the inseam, place the pressing pad under area to be pressed.
- Place the pleated area on the ironing board. Then carefully fold the pleats and press.
- Embroidery should be placed face down on the ironing board to reduce wear and prevent damage to delicate areas.

Other Techniques:

- Placing the pressing pad between the fabric and pressing board may help with delicate fabrics.
- Buttons and zippers may need special care to avoid melting or damage. To do so, place the garment face down and over the pressing pad before pressing.
- The accessory spray bottle may be used to spray fabrics lightly. This will further help to remove exceptionally stubborn wrinkles from your garment.
- Place a clean, damp cloth over your garment before pressing, as this will help with stubborn wrinkles or heavy gauge fabrics.
- To press large pieces of fabric, place the entire piece of fabric behind the ironing board.
- Pull the fabric toward you over the ironing board and then lower the pressing board. Press the fabric in sections until completed.

Inspection, maintenance, and cleaning make sure the steam press is off.

- Before each use, inspect the general condition of the steam press and check for loose or broken parts.
- If abnormal noise or vibration is found, have the problem corrected before further use.
- To clean steam press, fill the water reservoir. Place pressing pad in the middle of the ironing board. Place a clean towel over the pressing board and ironing board. Set the temperature control buttons to the highest setting (linen). When the steam burst ready indicator (yellow) comes on, press the steam burst buttons several times to clean the steam pores from calcium deposits. Allow the pressing board to cool. Clean the pressing and ironing boards with damp cloth only. The ironing board is removable for hand washing, Do not use abrasive detergents.
- Store the unit after use. Wait at least 30 minutes and allow the unit to cool before storing it.
- Empty the water reservoir before storage and keep the unit clean, dry and safe out of reach from children or others.

- **IMPORTANT:** All other maintenance should only be performed by qualified technicians. Never attempt to disassemble or altered the unit in any way. Failure to comply may result in injuries.
- Only allow qualified technicians to use original parts. Do not attempt to use parts from 3rd party manufacturers.

Troubleshooting

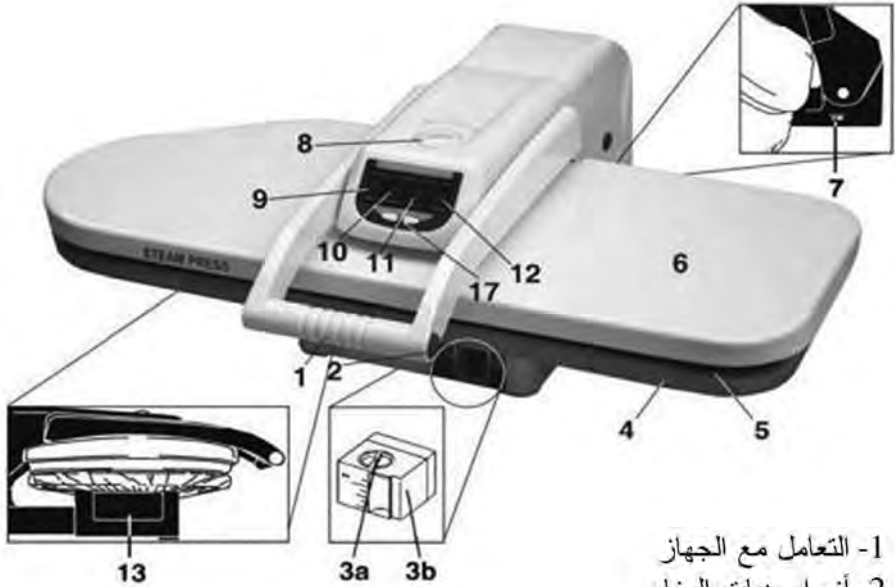
Problem	Possible Cause	Possible Solution
Unit fails to heat up and steam. Power indicator light does not illuminate.	Unit is not plugged in. Household circuit breaker/ Ground fault interrupter has tripped or blown a fuse.	Plug the unit into a working, 220 volt, electrical outlet. Reset circuit break/ground fault interrupter, or replace fuse.
Unit fails to heat up and steam. Power Indicator Light does illuminate.	Auto-shut off has engaged. Water reservoir is empty. Unit is damaged or malfunctioning.	Refer to "Auto-Shut off" section on page x of this manual for instruction. Refill water reservoir Immediately cease using, and have a qualified service technician check out the unit.
Steam burst output is weak or intermittent.	Pressing Board needs to be cleaned.	Clean the Pressing Board properly.

The Waste Electrical and Electronic Equipment

Protect our environment: do not dispose of electrical equipment in the domestic waste Please return any electrical equipment that you will no longer use to the collection points provided for their disposal. This helps avoid the potential effects of incorrect disposal on the environment and human health. This will contribute to the recycling and other forms of reutilization of electrical and electronic equipment. Information concerning where the equipment can be disposed of can be obtained from your local authority.

الوصف العام

يتم تضمين الميزات التالية والاكسسوارات الخاصة بمكبس البخار الخاص بك. راقب بعناية مواد التعبئة اذ ان بعض الأجزاء قد تكون داخل ادوات التغليف من مادة ستاير وفوم. يُمكن للحصول على أجزاء مفقودة ، لطفاً مراجعة العملاء.



- 1- التعامل مع الجهاز
- 2- أزرار هبات البخار
- 3- أ- غطاء خزان المياه
- 3- ب- خزان المياه
- 4- لوح الكي
- 5- لوح الكبس
- 6- غطاء لوح الكبس
- 7- مفتاح الاقفال الفتح
- 8- مقبض الاغلاق
- 9- ضوء المؤشر للتتيار (الأحمر)
- 10- ضوء المؤشر للكي (الأخضر)
- 11- ضوء المؤشر لجهوزية هبة البخار (الاصفر)
- 12- أزرار التحكم بدرجة الحرارة
- 13- قسم تخزين الحبل
- 14- كوب القياس

- 15- قارورة الرش
16- وسادة الكي
17- مفتاح اختيار الحرارة

ملاحظة هامة

قواعد: وتوجيهات سلمة هامة

- انتبه! اقرأ وافهم جميع التعليمات قبل الاستخدام. عدم اتباع جميع التعليمات الواردة أدناه قد يؤدي إلى صدمة كهربائية ، او حرائق ، او حروق أو إصابات خطيرة أخرى.
- احفظ هذه التعليمات!
- تم تصميم Digital Fabric Family Press للاستخدام المنزلي فقط. إن أي استخدام آخر سوف يبطل ضمانه الصانع الضمان .

منطقة العمل:

- حافظ على منطقة العمل الخاص بك نظيفة ومضاءة بشكل جيد.
- لا تقم بتشغيل أجهزة الكهرباء في الاجواء المتفجرة مثل وجود سوائل قابلة للاشتعال أو غازات أو غبار.
- ابعد الأطفال والزوار لدى تشغيل هذا المنتج.
- يجب أن تكون أجهزة التأسيس موصولة الي منفذ مثبت على أساس صحيح ومؤرض وفقا لكافة القوانين والانظمة. لا يجوز إزالة شق التأسيس أبدا أو تعديل القابس في أي شكل من الأشكال. لا تستخدم أي مقابس تحويل. تحقق بواسطة كهربائي مؤهل إذا كان لديك شك ان مأخذ التيار الخاص بك مؤرض بشكل صحيح.
- تجنب الاتصال مع سطوح مؤرضة مثل الأنابيب والأجهزة المشعة ، النطاقات ، والثلاجات.
- لا تعرض أجهزة التيار للمطر أو ظروف الرطوبة.
- لا تقسُ على حبل التيار. لا تستخدم أبدا حبل التيار لحمل الجهاز أو سحب القابس من منفذ التيار. اغلق دائما الجهاز قبل إزالة المكونات من مأخذ التيار.
- استبدل أسلاك الكهرباء المتضررة مباشرة أو كف عن استخدام الجهاز.
- لا تستخدم هذا الجهاز مع تمديد الأسلاك الكهربائية أو المنافذ الكهربائية التي لديها قدرة الحالية غير كافية.
- لا تترك Digital Fabric Family Press غير مراقب عندما يكون موصولاً الى التيار او عندما لا يكون مستخدماً .
- إذا كان المقبس لا يتناسب تماما في المنفذ الخاص بك ، اتصل بكهربائي مجاز لتثبيت لتركيبة منفذ مناسب قبل الاستخدام.
- لا تحاول تهدئة أو تغيير أو تعديل في المكونات لهزيمة هذا مزايا السلامة.

السلامة الشخصية:

- هذا الجهاز ليس لعبة. مطلوب الإشراف عن كثب عند استخدام هذا الجهاز بالقرب من الأطفال والحيوانات الأليفة والنباتات.
- وهذا الجهاز يمكنه إنتاج البخار وربما يكون ضاراً وساخناً. يجب أن تكون الرعاية متوفرة لتجنب الحروق أو الإصابات الناتجة عنها.
- ابق في حالة تيقظ ومراقبة لدى استخدام جهاز كهربائي. لا تستخدم هذا الجهاز الكهربائي عندما تكون متعباً أو تحت تأثير المخدرات، أو الكحول، أو الأدوية.
- اللباس الصحيح. لا ترتدي الملابس أو المجوهرات التي يمكن أن تؤخر العمل أو تؤدي إلى إصابات.
- بالتالي يجب عدم معالجة أو استخدام هذا الجهاز إذا كانت اليدين رطبتين أو في حال عدم انتعال الأحذية.
- * تجنب الانطلاقة الخاطئة. تأكد من إغلاق متاح التيار قبل توصيل الجهاز بأخذ التيار الكهربائي.
- * لا تتناول. حافظ على وضعية جيدة وتوازن سليم.
- * المستحسن استخدام لحستخدم تجهيزات السلامة، ومن المستحسن حماية العينين.
- * تصبح الأسطح ساخنة أثناء الاستخدام. من أجل تجنب الإصابة، لا تلمس لوح الكي أو أي سطح آخر معدني عند استخدام الجهاز. لا تضع ذراعيك أو يديك بين لوحة الكيس وطاولة الكي.
- * لا تحاول أن تقوم بأعمال الصيانة أو ادخال التعديلات. يمكن إجراء الصيانة فقط من قبل الفنيين المؤهلين. وأي تعديل للجهاز قد يتضمن خطر إزالة ضمانة الشركة المصنعة.
- * وقبل ملء جهاز Digital Fabric Family الخاص بك، اقلل الجهاز وافصل الحبل من مأخذ التيار، أما الفشل في التقيد بهذا النهج فقد يؤدي إلى الإصابة.

استخدام الجهاز والرعاية

- * لا تستعمل القوة في التعامل مع الجهاز. استخدام جهاز Digital Fabric Family Press حسب طريق الاستخدام المحدد له.
- * لا تستخدم هذا المنتج إذا كان حبل المقبس لا يسمح بتشغيل وإطفاء الجهاز.
- * إفصل مقبس حبل التيار من مصدر الطاقة قبل إجراء التصحيحات.
- * لا تستخدم وظيفة هبة البخار إذا سدت فتحات البخار.
- * يمكنك فقط استخدام المياه في هذا الجهاز. ويوصى الماء المقطر عند توافرها للجهاز حتى يدوم لفترة أطول.
- * استخدم فقط الملحقات التي أوصت بها الشركة المصنعة لهذا الجهاز.
- * وينبغي عدم استخدام غيرها من الملحقات لأن التصرف بخلاف ذلك قد يؤدي إلى الإصابة أو تعطيل الجهاز.

الصيانة :

- * يجب إجراء الصيانة من قبل فني مؤهل.
- * اتصل ببائع التجزئة أو الصانع في أقرب مركز صيانة لك.

تحذير :

- * كما تمت الإشارة الى ذلك ، يمكن أن تحدث حروق من لمس الأجزاء المعدنية الساخنة لهذا الجهاز أو إذا كنت بموقع قريب جدا من الماء الساخن أو البخار. توخي أقصى درجات العناية لدى تشغيل هذا الجهاز .
- * يجب تشغيل هذه الوحدة دائما على طاولة مسطحة آمنة او على منضدة او على منصب الكي الخاص بنا.
- * حافظ على التسميات والتحذيرات على مكبس البخار .
- * لا تستخدم الجهاز اذا كان قد وقع ، او تعطل ، او اترك في الهواء الطلق أو غمر بسائل .

- * تم تصميم هذا المنتج للاستخدام المنزلي المحلي فقط.
- * اترك دواما مكبس البخار يبرد لفترة لا تقل عن 30 دقيقة لتبرد قبل خزنه.
- * اقرأ دائما الإرشادات الموجودة في هذا الدليل وتقيّد بها. لا يتحمل الصانع مسؤولية عن سوء الاستخدام من قبل المشغل.
- * يجب على الافراد الذين يحملون جهاز (اجهزة) تنظيم ضربات القلب استشارة الطبيب (الاطباء) قبل استخدام هذا المنتج.
- فإن معالجة المعدات الكهربائية بالقرب من جهاز تنظيم ضربات القلب قد يتسبب في التداخل الذي يمكن ان يؤدي الى اخفاق جهاز تنظيم ضربات القلب.
- * لا تستطيع هذه التحذيرات والاحتياطات المبينة في هذا الدليل ان تغطي جميع الظروف والحالات الممكنة. الرجاء استخدام الحس السليم وتوخي الحذر في استخدام هذه المادة.

التفريغ:

- * لدى تفريغ الآلة الجديدة، تأكد ان كافة الاجزاء موجودة. اذا كانت هناك اي اجزاء ناقصة، الرجاء الاتصال بالبائع بالتجزئة مباشرة.
- * سوف تحتاج الى هذا الكتيب من اجل تحذيرات السلامة والاحتياطات والتجميع والتشغيل والمراقبة والصيانة واجراءات التنظيف ولائحة الاجزاء ومخطط التجميع.
- احفظ ايصالك مع الكتيب؛ دون رقم الايصال في مكان آمن. احفظ هذا الكتيب والايصال في مكان آمن وجاف ليكون مرجعك في المستقبل.

المعطيات التقنية

الامداد بالطاقة: 220\240 فولط

استهلاك الطاقة: 1500 واط

التردد: 50\80 هيرتز

فئة السلامة: 2

خاضع للتغيرات التقنية دون اشعار مسبق! تم اختيار هذا الجهاز بناء على كافة الارشادات المتعلقة بالمطابقة الاوروبية، مثل الملائمة الكهرو مغناطيسية والتوجيهات الخاصة بالفولطية المنخفضة، وهو مصنوع تبعاً لأحدث الانظمة المتعلقة بالسلامة.

ارشادات التشغيل

Digital Fabric Family Press *

مجهز بألية اقفال اوتوماتيكية توقف التيار الكهربائي في سخان الداخلي عندما يُترك لوح الضغط على طاولة الكي اكثر من عشر ثواني او لوح الضغط متروكاً في حالة وقوف دون استخدام بعد 15 دقيقة. فان قدرة التسخين في مكبس البخار تتم استعادتها عندما يجري تنزيل او رفع لوح الضغط عن وضعه هذا.

* ملاحظة هامة: ان الاطفاء الآلي لا يعني ان التيار قد انقطع تماماً، بل يبقى التيار دوماً موصولاً ويظل ضوء مؤشر الطاقة ظاهراً كذلك الى ان يتم وضع المفتاح في موقع "مقفل". لتشغيل الطاقة مجدداً يجب نقل مفتاح الطاقة من موقع "مقفل" الى موقع "موصول".

* لدى وضع المياه في الخزان، لا تحاول اخراج الخزان من مكبس البخار لأن هذا الجهاز غير قابل للاستخراج بشكل كامل من مكبس البخار المذكور، فلا تحاول ابداً قلعه بالقوة.

* استعمل كوب القياس المرافق من اجل ملء خزان المياه. لا تبالغ في تعبئته؛ يمكنك استخدام مياه الحنفية لكن يُنصح باستعمال المياه المقطرة. اعد غطاء خزان الماء الى مكانه قبل البدء بالاستخدام.

* لا تبالغ في تعبئة الخزان، ولا تضع فيه اكثر من 10 اونسات من المياه (283.5 غرام).

* افتح زر الاقفال وارفع لوح الكبس.

* عندما يكون لوح الكبس في حالة ارتفاع، ضع مقبس حبل التيار في مأخذ كهربائي 220 فولط ذات تأريض، ثم اوصل التيار بعد التأكد انه ليس من مخاطر تهدد السلامة.

* اختر نوع القماش الذي سوف تقوم بكيه، ثم اختر وضع الحرارة المناسب. سوف يظهر ضوء مؤشر الكي الاخضر. من الافضل ان تبدأ بالأقمشة الأكثر دقة اولاً لأن المستويات الاعلى للحرارة قد تتسبب في اذاء الثياب.

* يحتاج الجهاز الى بضع دقائق من التسخين للتوصل الى الحرارة التي تكون قد اخترتها. لدى تسخين لوح الكبس وبلوغه الحرارة المطلوبة، يظهر مؤشر الضوء الاخضر فتكون جاهزاً للبدء بكي الثياب.

* ضع الثياب بشكل مسطح فوق لوح الكي. ان كنت تقوم بكي قطعة من الصوف يُوصى برشها بهبة من البخار. تكون هذه الوظيفة متوفرة لدى ظهور ضوء مؤشر هبة البخار باللون الاصفر.

* تحذير - لا تشغل وظيفة هبة البخار اذا كان مكبس البخار مقفلاً تماماً لأن ذلك قد يكون مضراً بالجهاز. للحصول على نتائج افضل، اترك لوح الكيس مفتوحاً حوالي 3

انش (اي ما يعادل 8 سنتم) فوق لوح الكي قبل الضغط على ازرار تحرير البخار الموجودة على الممسك. لأسباب متعلقة بالسلامة، لا ترفع لوح الكبس اكثر من 3 انش (اي ما يُعادل 8 سنتم) فوق لوح الكي لدى استخدام وظيفة هبة البخار.

* **للتذكير** - يمكن ان تحدث الحروق لدى ملامسة الاقسام المعدنية الساخنة ان كنت على مقربة من الماء الساخن او البخار.

* من اجل كي القماش، اخفض لوح الكبس فوق القماش طاولة الكي. ابقه كذلك حوالي 8 الى 10 ثوان. ثم ارفع لوح الكبس دفعة واحدة. كرر ذلك الى ان تكون قد حصلت على على الثنية المرغوب بها والنعومة في القماش.

* سوف يطفئ مكبس البخار تلقائياً لوحة التسخين بعد 10 ثوان اذا كان في موقع الاقفال. ويصدر ايضاً صوت زمارة يدوم الى ان يتم فتح الجهاز. لدى فتح الجهاز، يعود الى العمل بشكل عادي.

* لدى انجاز الكي، يجب اقفال الجهاز مباشرة. وتركه يبرد مدة ثلاثين دقيقة على الاقل قبل خزنه.

* تأكد من ان مكبس البخار نظيف وجاف قبل خزنه في مكان آمن بعيداً عن متناول الاولاد او اي شخص لا يجوز له استعماله.

نصائح متعلقة بالكبس والكي على البخار:

ازالة التعضن:

* اخفض لوح الكبس الى ان يصبح على مسافة حوالي 3 انش (8 سنتم) فوق طاولة الكي، ثم شغل وظيفة هبة البخار عن طريق الضغط على الازرار المحررة للبخار.

* انتظر بضع ثوان ثم شغل ازرار هبة البخار مرة جديدة.

* اخفض لوح الكبس دفعة واحدة ثم ارفعه مجدداً.

* اعد الكرة حتى ازالة جميع التعضنات.

كي القمصان والبلوزات:

* ضع طرف الكتف على طاولة الكي اولاً ثم اكبس.

* بعد ذلك ضع الاكمام فوق لوح الكي بحيث تكون الطية موازية لخط الدرزة الطويل واكبس.

* ضع زر القميص او البلوز خلف لوح الكي. ابدأ بكبس الجهة ذات الجيب. شد القميص او البلوز نحوك فيما انت تكبس كل قسم منه.

* في النهاية قم بكبي قبة القميص او البلوز.

كي السراويل:

* ضع وسادة الكي الاضافية تحت شريط الحزام ثم اكبس: غير في موقع شريط الحزام الى ان يتم كبسه بالكامل.

* من اجل كي الدرزة، ضع الداخلية وسادة الكي تحت المكان الذي يجب كيه.

- * ضع المنطقة المغضنة فوق لوح الكي، ثم افتح الغضنات بتأن واكسبها.
- * يجب وضع التطريز نحو الاسفل لجهة لوح الكي من اجل خفض الاحتكاك وتجنب الضرر الذي قد يصيب المناطق الحساسة.

تقنيات اخرى

- * وضع وسادة الكي بين القماش ولوح الضغظ مما قد يساعد على المحافظة على الاقمشة الحساسة.
- * قد تحتاج الازرار والسحاب الى عناية خاصة لمنع الذوبان او الضرر عنها. لذلك يجب وضع الملابس باتجاه الاسفل وفوق وسادة الكي قبل الكي.
- * يمكن استخدام قارورة الرش الاضافية لرش الاقمشة بشكل خفيف. وهذا ما يساعد على ازالة الغضنات الصعبة عن الملابس.
- * ضع قطعة من القماش النظيف والرطب فوق الملابس قبل كيها، فهذا قد يساعد على ازالة الغضنات الصعبة ومعالجة الاقمشة ذات الحجم الثقيل.
- * من اجل كي قطع القماش الكبيرة، ضع قطعة القماش بكاملها خلف طاولة الكي.
- * شد قطعة القماش باتجاهك فوق طاولة الكي، بعد ذلك اخفض لوح الكيس، وقم بكبس الاجزاء المختلفة من القماش حتى انجاز العمل.

المراقبة، الصيانة والتنظيف

- تأكد انك قد اطفأت مكبس البخار.
- * قبل كل استعمال، راقب الوضع العام لمكبس البخار وتأكد من عدم وجود قطع غير ثابتة او معطلة.
- * اذا سمعت صوتا غير اعتيادي او شعرت بارتجاج، اسع الى حل المشكلة قبل استخدام الجهاز مجددا.
- * من اجل تنظيف مكبس البخار، املا خزان الماء. ضع وسادة الكي في وسط لوح الكي. ضع فوطة نظيفة فوق لوح الكيس وطاولة الكي. اضبط ازرار مراقبة الحرارة حتى اعلى وضع (الكتان). عندما يظهر مؤشر جهوزية هبة البخار (باللون الاصفر)، اضغط على ازرار هبة البخار عدة مرات من اجل تنظيف ثقوب البخار من الترسبات الكلسية. اترك لوح الكيس يبرد. نظف لوح الكيس وطاولة الكي بقطعة من القماش الرطب فقط. يمكن ازالة طاولة الكي من اجل تنظيفها باليد. لا تستخدم مساحيق تنظيف كاشطة.
- * اخزن الجهاز بعد استعماله. انتظر على الأقل ثلاثين دقيقة واترك وحدة التبريد تعمل قبل خزن الجهاز.
- * افرغ خزان المياه قبل الخزن وحافظ على نظافة الجهاز ليكون جافا وأمانا وبعيدا عن متناول الاولاد والآخرين.
- * **ملاحظة هامة:** يجب ان تتم كل اعمال الصيانة على يد فنيين ذات كفاءة. لا تحاول ابدأ تفكيك الجهاز او التعديل فيه بأية طريقة. اما عدم الالتزام بهذه الارشادات فقد يتسبب بحدوث الاضرار.

* لا تسمح الا للفنيين من اصحاب الكفاءة باستخدام القطع الاصلية. لا تحاول استخدام قطع غير عائدة لمصنعين من الفرقاء الثالثين.

اصلاح الاعطال

المشكلة	السبب المحتمل	الحل الممكن
يفشل الجهاز في اعطاء السخونة والبخار. ضوء مؤشر التيار غير ظاهر.	الجهاز غير موصول بالتيار. معطل دائرة المنزل قاطع الخطأ الارضي يعاني من خلل او قد تفجر فيه الفتيل.	اوصل الجهاز بـ 220 فولت. اصحح الخلل في الدارة الدارة او قاطع الخطأ الارضي، او استبدل الفتيل.
يفشل الجهاز في اعطاء السخونة والبخار. ضوء مؤشر التيار ظاهر.	بدء الاقفال الذاتي بالعمل. خزان المياه فارغ. الجهاز مصاب بضرر او خلل وظيفي.	راجع قسم "الاقفال الذاتي" على الصفحة x من هذا الكتيب لاتباع التوجيهات. اعد ملء خزان الماء توقف عن الاستعمال مباشرة واطلب فني صيانة ليقيم بفحص الجهاز.
مخرج هبة البخار ضعيف او منقطع.	لوح الكبس يحتاج الى التنظيف.	نظف لوح الكبس بشكل مناسب.

التجهيزات الالكترونية والكهربائية للنفائيات

حافظ على البيئة: لا ترمم التجهيزات الكهربائية مع النفائيات المنزلية. لطفًا، اعد اية تجهيزات كهربائية لن تستخدمها بعد الآن الى نقاط جمع النفائيات الخاصة بها. هذا ما يسمح بتجنب المفاعيل المحتملة او التخلص من التجهيزات بشكل غير صحيح يُهدد سلامة البيئة وصحة الانسان. سوف يُساهم ذلك في التدوير والاشكال الاخرى لاعادة استخدام التجهيزات الكهربائية والالكترونية. اما المعلومات الخاصة بالامكنة التي يمكن فيها التخلص من هذه التجهيزات فيمكن الاستحصال عليها من السلطات المحلية.

